

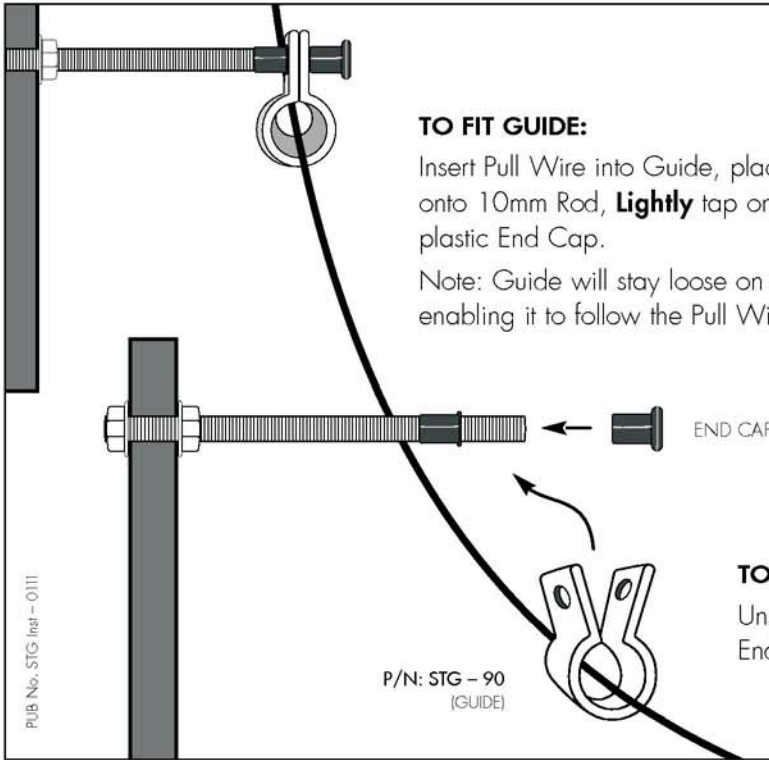
Installation Instructions

SAFE-T-GUIDE

TO FIT GUIDE:

Insert Pull Wire into Guide, place Guide onto 10mm Rod, **Lightly** tap on black plastic End Cap.

Note: Guide will stay loose on the Rod enabling it to follow the Pull Wire's contour.



TO REMOVE GUIDE:

Unscrew black plastic End Cap, anticlockwise.

