

≡ PULL - SAFE ≡

Photograph shows optional
Signal Flag fitted.



IP67

The ≡ **PULL - SAFE** ≡ pull wire switch complies with the requirements of AS4024 Parts 1 & 2.

Tripping occurs under the following conditions:-

- (a) The trip wire is removed
- (b) The trip wire is over tensioned
- (c) The trip wire is activated
- (d) Manual trip via reset knob.

The switch cannot be reset unless the trip wire is attached and correctly tensioned,
Manual reset via the external reset knob is required after a trip has occurred.

FEATURES

- Absolute simplicity in initial setup and adjustment.
- Robust non-metallic enclosure.
- All external fixings are 316 Stainless Steel.
- Simple design ensures low maintenance.
- Stainless steel internal compression type spring.
- Pull rod 316 stainless steel.
- Pull rod has external dust protecting boot for seal protection.
- Double lip oil seal on pull rod and reset operator for secure dust and weather protection to IP 67.
- Non-metallic pull rod bushing.
- Positive drive action from cams through to switching contacts provides mechanical forcing of the trip contacts.
- Micro switches are wired to terminals for easy wiring installation.
- Cam design compensates for pull wire expansion/contraction up to 15mm either side of the set point. Eliminates nuisance tripping due to vibration.

PULL WIRE SWITCH

PULL - SAFE

VARIATIONS

- Max Two S.P.D.T. Contacts.
- External signal flag.

- Matched stainless steel compensation spring for remote end attachment.

To comply with AS4024. A matched compensation spring must be fitted to the remote end of the pull wire to allow tripping in both directions.

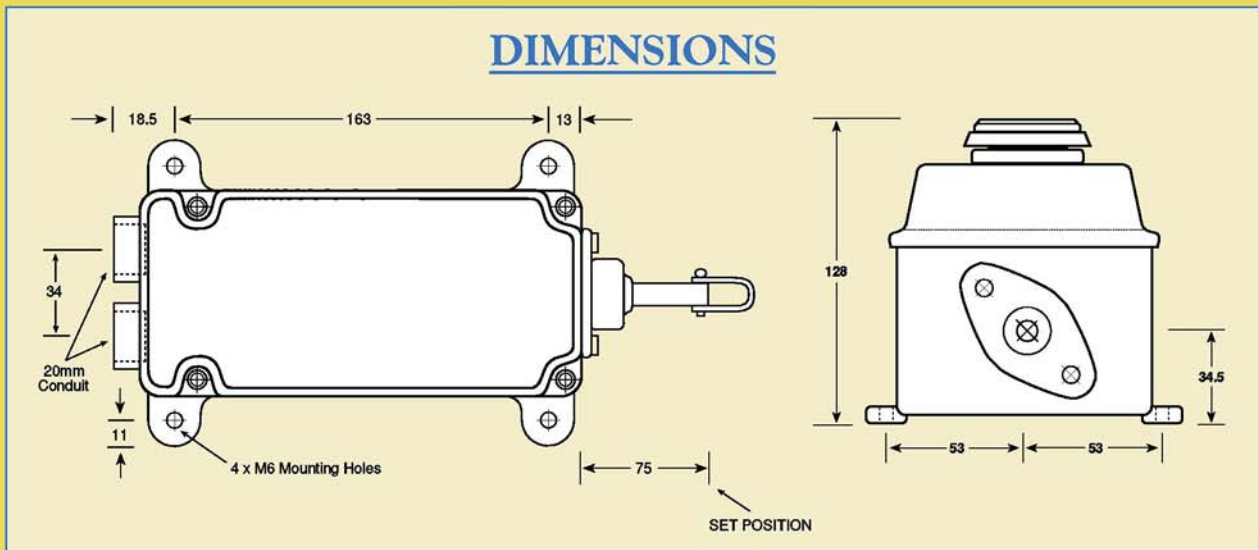
INSTALLATION

One switch mounted for every 50m of pull wire.

SWITCH SETTINGS

Adjust pull wire until there is 75mm from the end of the pull rod to the switch housing.

DIMENSIONS



ENCLOSURE SPECIFICATIONS

Glass filled, high impact Nylon 66. Finished in high solids epoxy mastic coating, resistant to splash or spillage of most hydrocarbon solvents, mild acids and strong alkali.

ORDERING DETAILS

Standard Switch with one forced open contact Micro Switch.	PS-P
Standard Switch with a second non forced open contact Micro Switch for alarm purposes.	PS-P-2
Standard Switch with second forced open contact Micro Switch.	PS-P-3
Matched S/S Compensation Spring	PS-60
External Signal Flag	PS-F

ELECTRICAL SPECIFICATION

	VOLTAGE	RESISTIVE	INDUCTIVE
AC	250 V	10 Amp	6A
DC	125	0.6 A	0.6 A
DC	30	3 A	6 A

OPS/MIN Electrical	= 60
Insulation Resistance	100 M.OHms
Contact Res Initial	15 m.OHms
Shock Res	30G.Min
Life Expectancy	100,000 OPS Min
Amb Temp.	-25°C to 80°C (No Icing)
Humidity Operating	85% Max

P. O. Box 488
Carletonville
2500
www.armaco.co.za
VAT No. 4720116112



Tel(018)786 3116
Int(+27)18 786 3116
Fax(018)786 3892
Int(+27)18 786 3892
elisme@armaco.co.za

PULL WIRE SWITCH