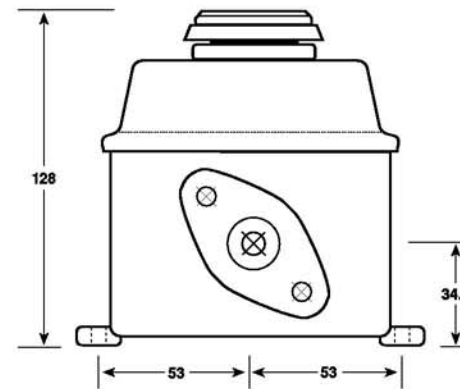
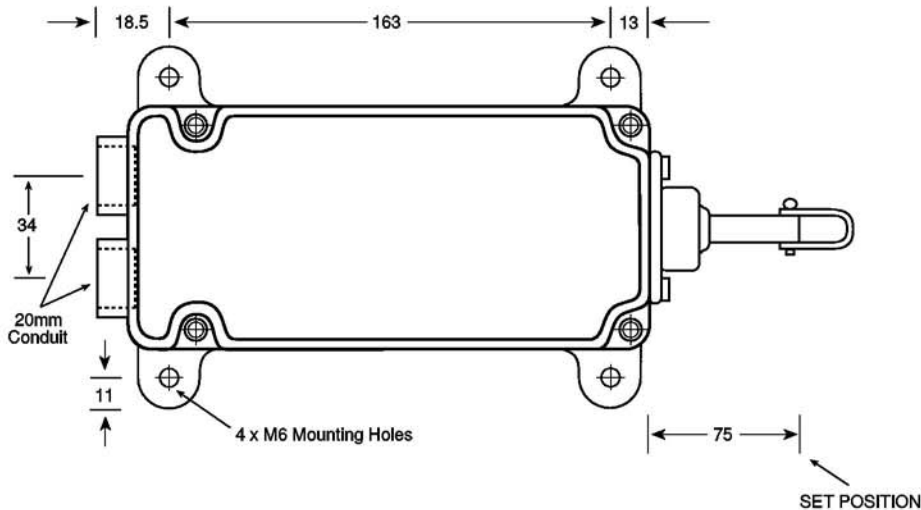
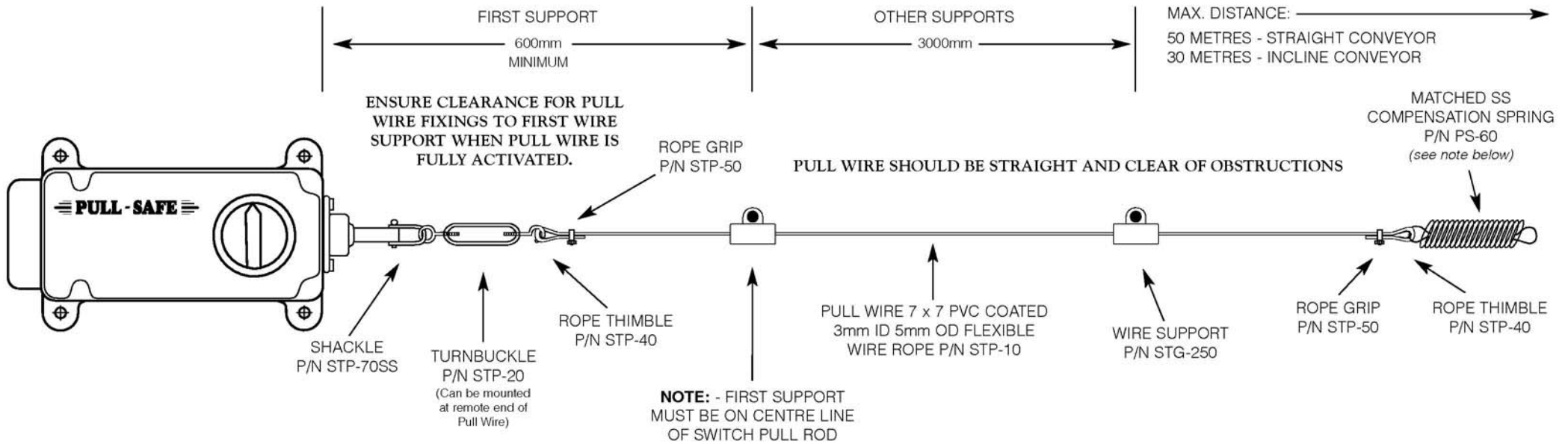


PULL - SAFE

P/N: PS-P

INSTALLATION & SETTING INSTRUCTIONS



NOTE: - TO COMPLY WITH AS 4024 Parts 1 and 2

A matched compensation spring must be fitted to the remote end of the Pull Wire to allow tripping in both directions.

SWITCH CANNOT BE RESET UNTIL PULL WIRE IS CORRECTLY TENSIONED

ie. 75mm from pull rod end to switch body.



Engineering CC

Reg. No.: CK88/04577/23